

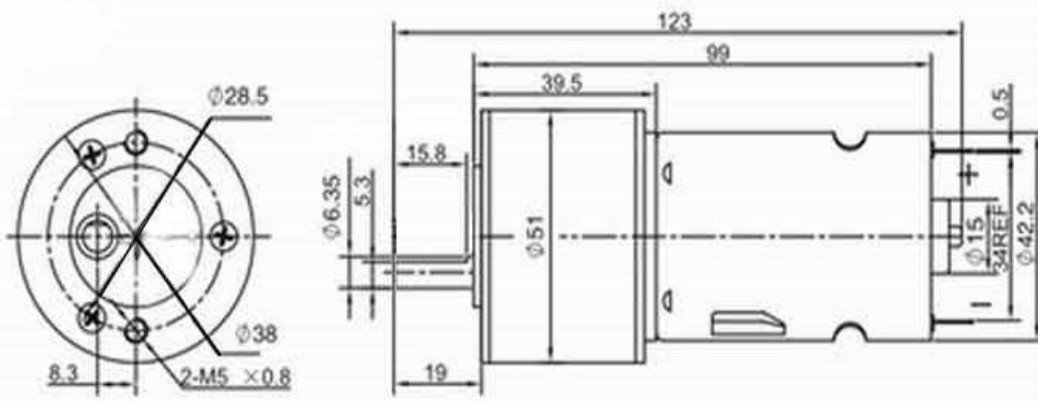
MG-51GA755 Gear Motor



Gear Box details:

箱体长度	Length						Ratio					
	减速比											
26.4	1/7.7	1/13.8	1/30	1/53	-	-						
32.0	1/116	1/220	1/464	1/885								
39.5	1/1856											

Motor Drawing



WEIGHT:489.2g(APPROX)

Motor data:

MODEL	VOLTAGE RATED	NO LOAD		AT MAXIMUM EFFICIENCY				STALL			
		SPEED	CURRENT	SPEED	CURRENT	TORQUE	OUTPUT	TORQUE	CURRENT		
	V	rpm	A	rpm	A	g.cm	mN.m	W	g.cm	mN.m	A
MG-51GA	24	72	0.35	53	1.51	15060	1476.4	9.02	30000	2843.1	6.5
	12	31	0.8	25	3.4	51350	5034.3	13.2	270000	26470.5	14.5

