

MP-22PG Planetary Gear motor MAX – MOTOR

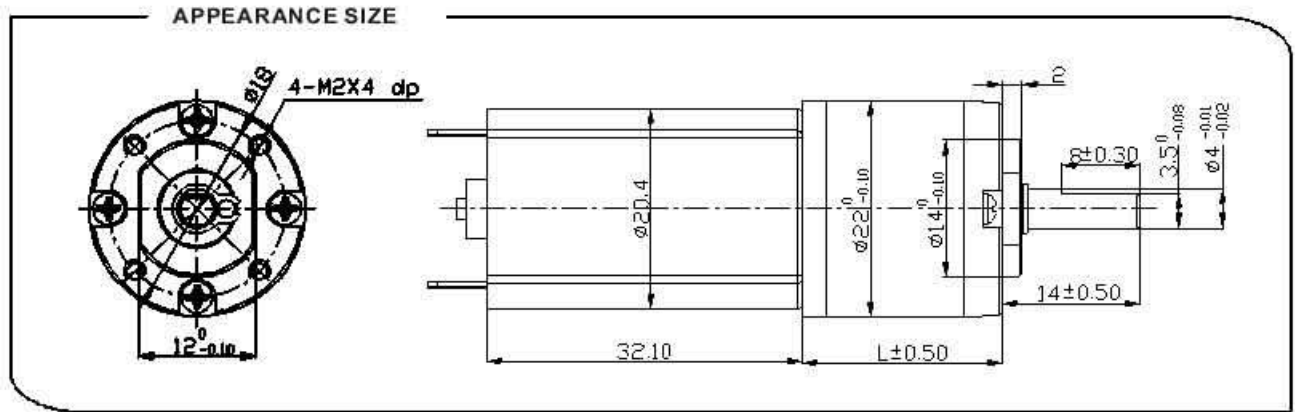


Main voltage: 3VDC, 6VDC, 9VDC, 12VDC, 24VDC.

Typical applications: Optical equipment, Monitoring cameras, Kind of fiber-electronic locks, Automatic energy saving bath, Water IC card, Toys and gifts, Office equipment, Household appliances, Automatic actuator.

Weight: 100~120g/pcs (approx)

Packing details: CTN size: 37X27.5XH21cm 200pcs/CTN G.W. 22Kgs



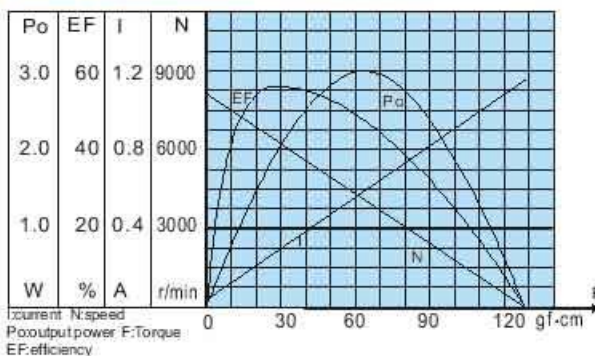
Gear Motor Torque/Speed

Reduction ratio		1/4	1/4.75	1/16	1/19	1/22.5	1/64	1/76	1/90	1/107	1/256	1/304	1/361	1/428	1/509	1/1024	1/1216	1/1444	1/1714	1/2036	1/2418
12V	Rated torque (gf.cm)	79	94	285	339	401	1028	1221	1445	1719	3360	4000	4000	4000	4000	4000	4000	4000	4000	4000	4000
	Rated speed (r/min)	1675	1411	419	353	298	105	88	75	63	26	22	19	16	13	7	6	5	4	3	3
24V	Rated torque (gf.cm)	79	94	285	339	401	1028	1221	1445	1719	3361	4000	4000	4000	4000	4000	4000	4000	4000	4000	4000
	Rated speed (r/min)	1850	1558	463	390	329	116	97	82	69	29	24	21	17	15	7	6	5	4	4	3
Gearbox "L" mm		16.9		16.9		20.5			24.1			27.6									

Motor Data

额定电压 Rated volt (V)	额定扭力 Rated torque (g-cm)	额定转速 Rated speed (rpm)	额定电流 Rated current (mA)	空载转速 No load speed (rpm)	空载电流 No load current (mA)	额定功率 Rated output (w)	重量 Weight (g)
12	22	6700	~200	8000	~70	1.5	33
24	22	7400	~110	9000	~40	1.7	33

RF-180-12V-8000r/min Characteristics



RF-180-24V-9000r/min Characteristics

